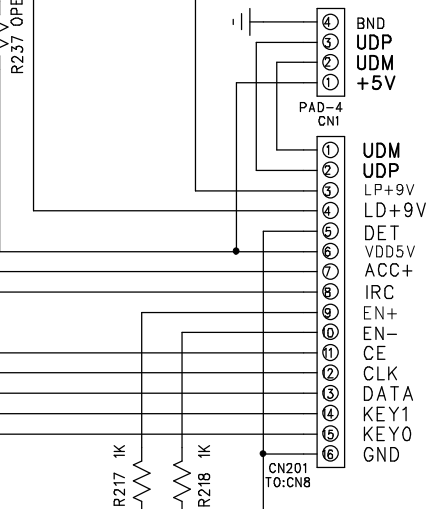
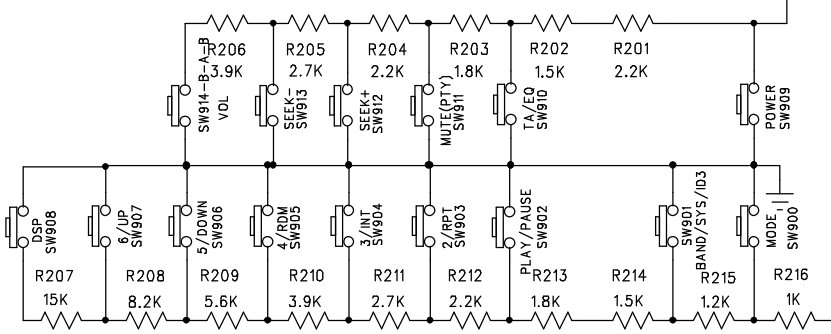


PARTS	R236	R232	R227-R231
LED/COLOR			
BLUE	2K	1.2K	270
YELLOW/GREEH	680	470	270



MODEL:		FILE NAME:	
PART NO.		FILE NO:	
PART NAME:	DRN./DATE: cyb 06.01.10	REV: 01	UPDATE: 03
DRANG NO:	APP./DATE:	02	04