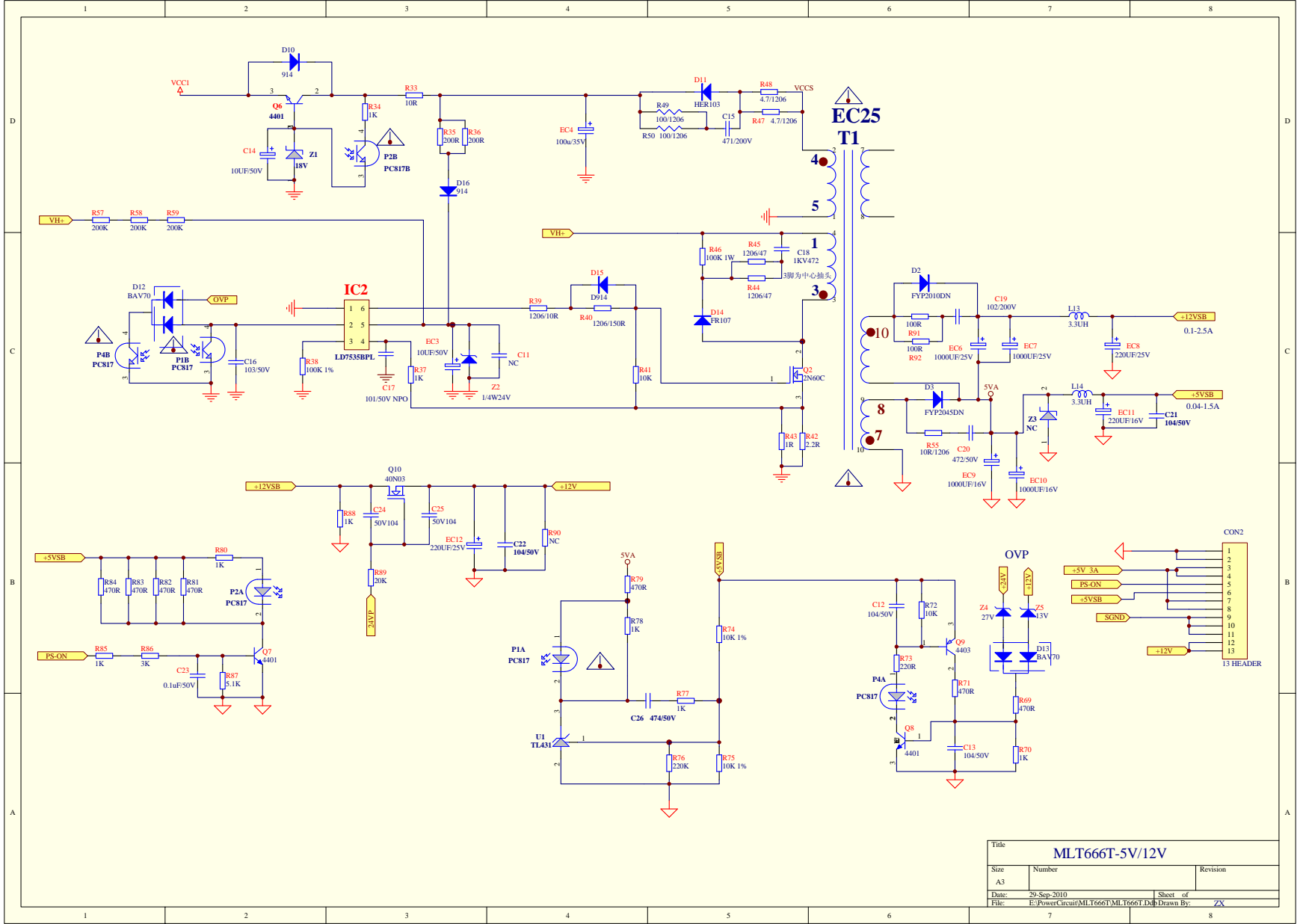
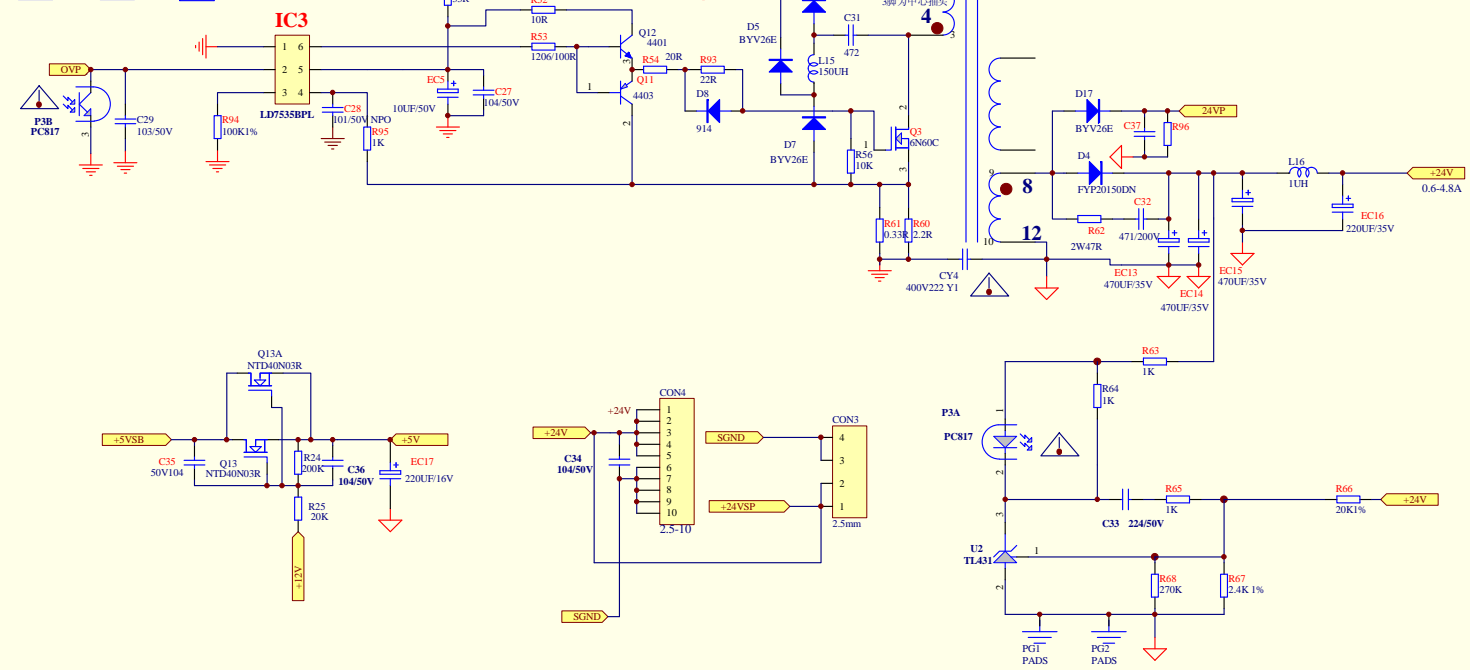
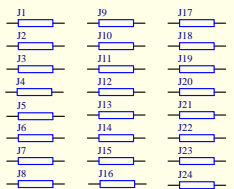


Title		
MLT666T-PFC		
Size	Number	Revision
B		
Date:	29-Sep-2010	Sheet of
File:	E:\PowerCircuit\MLT666T\MLT666T.Ddb	Drawn By:



Title		
MLT666T-5V/12V		
Size	Number	Revision
A3		
Date:	29-Sep-2010	Sheet of
File:	E:\PowerCircuit\MLT666T\MLT666T.Dcb	Drawn By: ZX



Title		
MLT666T-24V		
Size	Number	Revision
B		
Date:	29-Sep-2010	Sheet of
File:	E:\PowerCircuit\MLT666T\MLT666T.Dcb	Drawn By: ZX