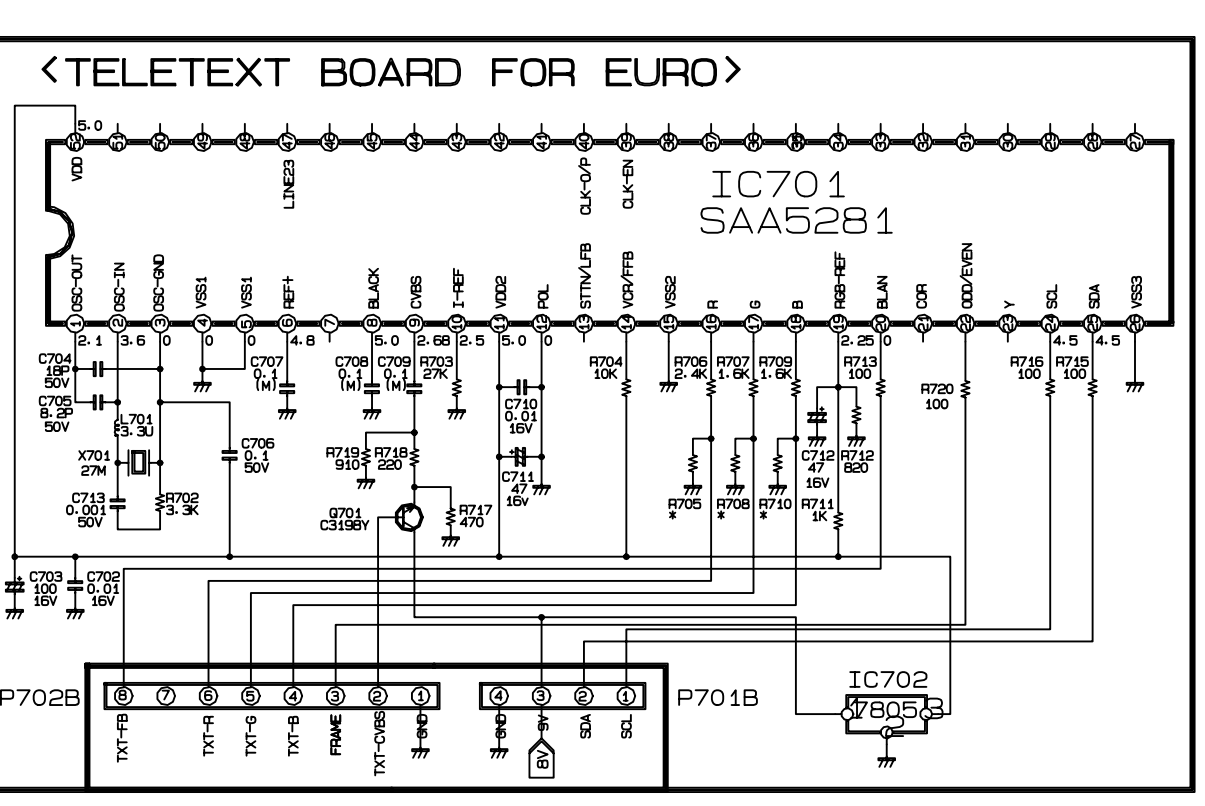
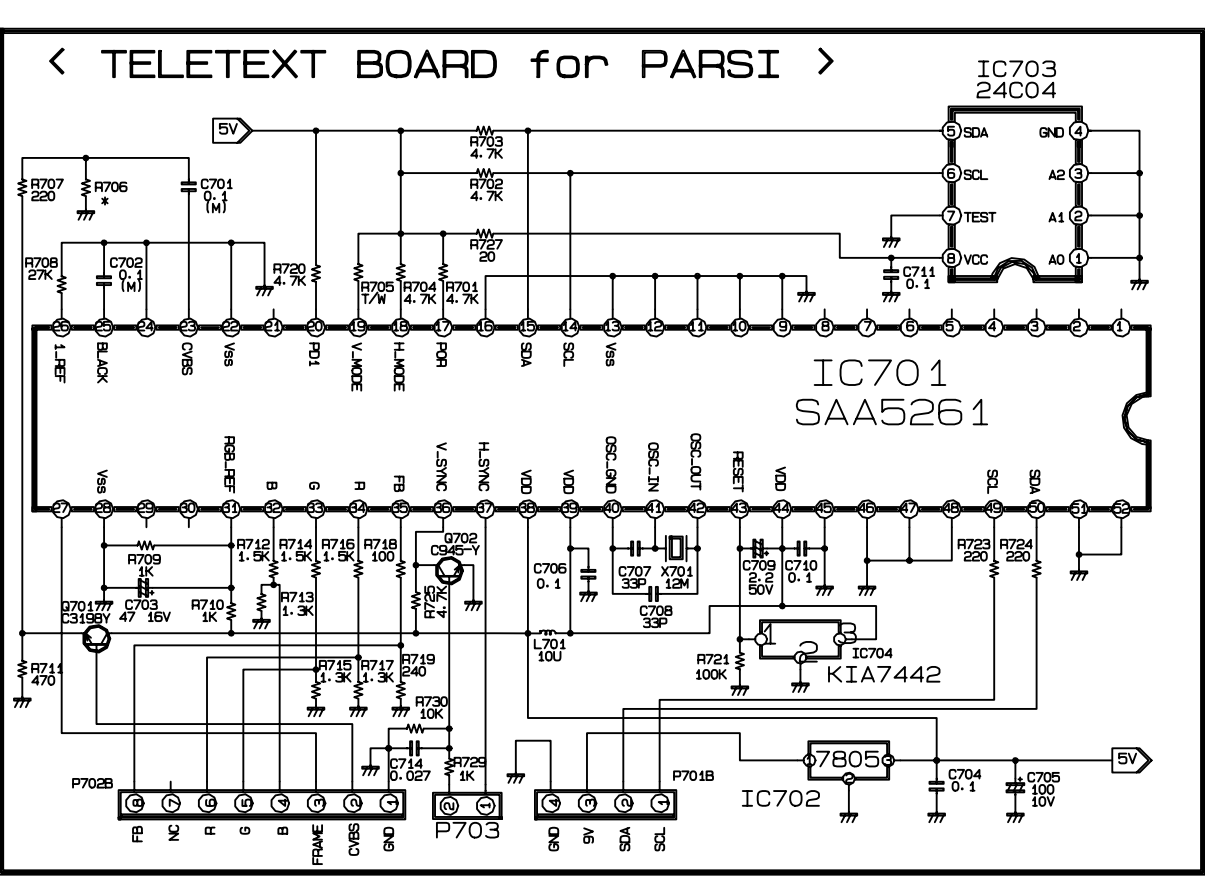
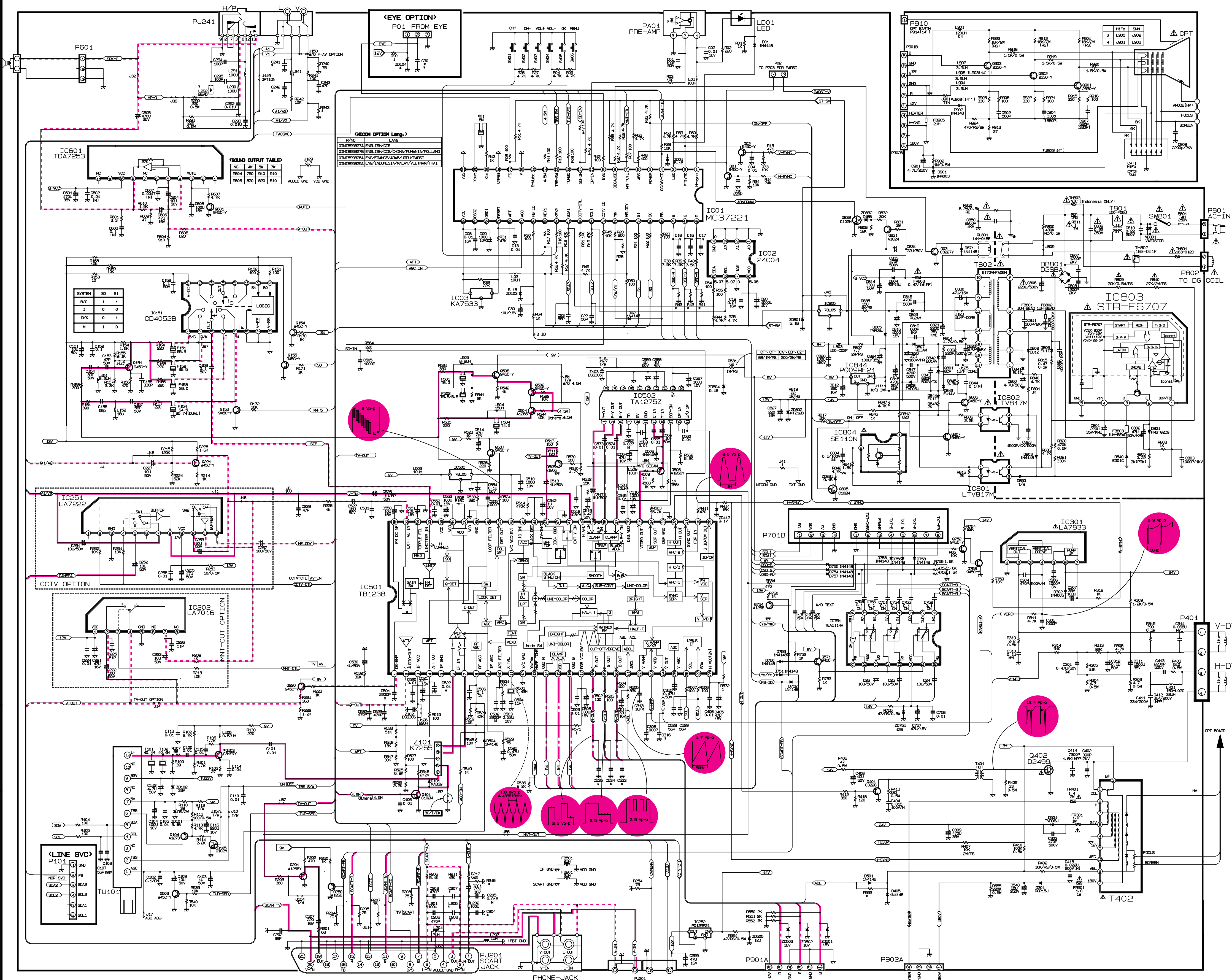


- HFULL MULTI SYSTEM
- STAND-BY 3M
- STUDIO MASTER
- AC/TV
- MEMO REC.
- RELO/PARSI TXT
- MEMO SERO1

# MC994A CIRCUIT DIAGRAM



★ TABLE OF INCH CONVERSION

CIRCUIT NO.	2"	2"	1 1/2"	REMARK
I0004	56.115	56.100	56.100	
I0001	183-010C	183-010C	183-010C	
C412	334(181-0130)	334(181-0130)	334(181-0130)	
C414	732(181-015F)	732(181-015F)	732(181-015F)	
C904	330P(N)	330P(N)	470P(N)	
C902	560P(N)	560P(N)	330P(N)	
C907	560P(N)	560P(N)	270P(N)	
R005/R015	330(1/2W)	330(1/2W)	330(1/2W)	
R004	15(270/2M)	15(270/2M)	15(470/2M)	
R013	10(30)	10(30)	10(30)	
R003/R004	10(470/0.5M)	10(470/0.5M)	10(5.0/0.5M)	
R405	10(470/0.5M)	10(470/0.5M)	10(470/0.5M)	
FR401	1.4(180-003H)	1.4(180-003H)	4(180-003H)	
C402	181-091V	181-091V	181-091V	
R410	10(100K/0.5M)	10(100K/0.5M)	10(100K/0.5M)	
R009	1.2K(10/0.5M)	5.1K(10/0.5M)	5.1K(10/0.5M)	
R407	15K(10/2M)	15K(10/2M)	15K(10/2M)	
R011	4.7K	1.5K	1.5K	

